

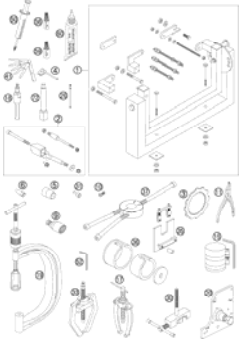
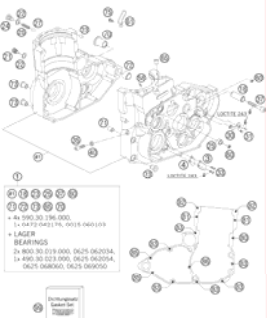
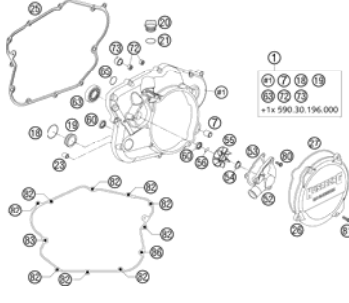

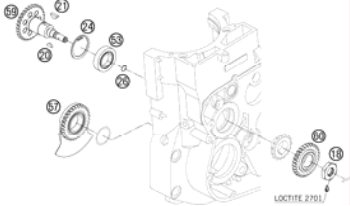
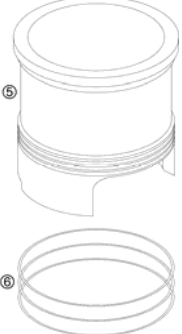

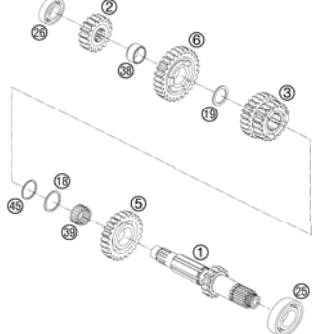
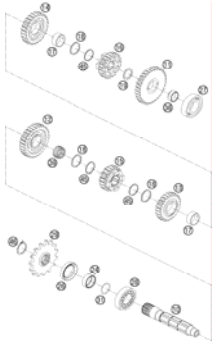
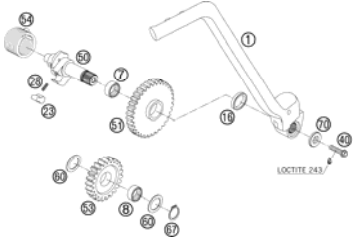

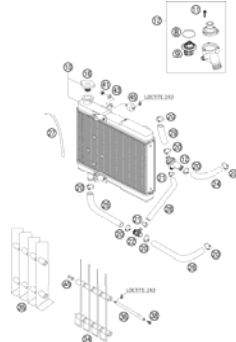
HUSABERG FE 550-E 2007

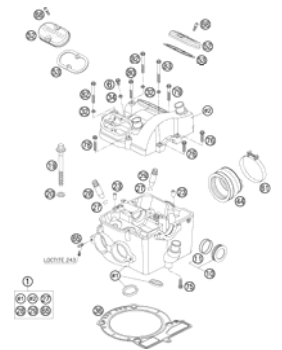
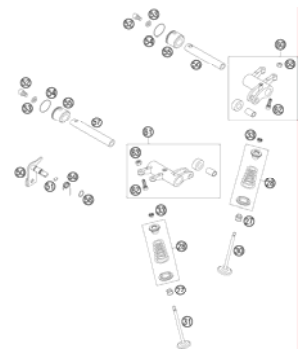
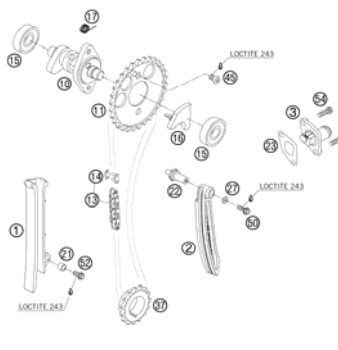
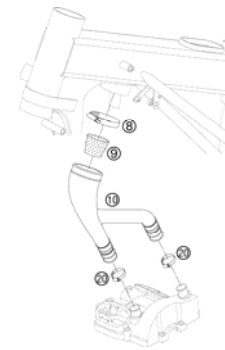
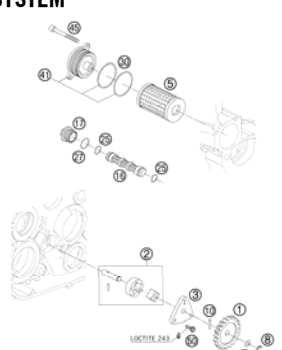
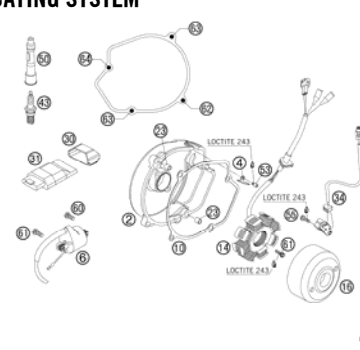
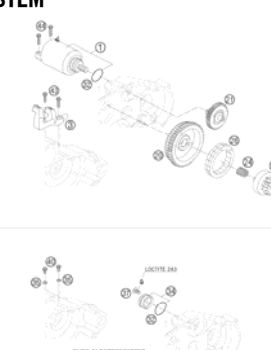
SPARE PARTS MANUAL: ENGINE

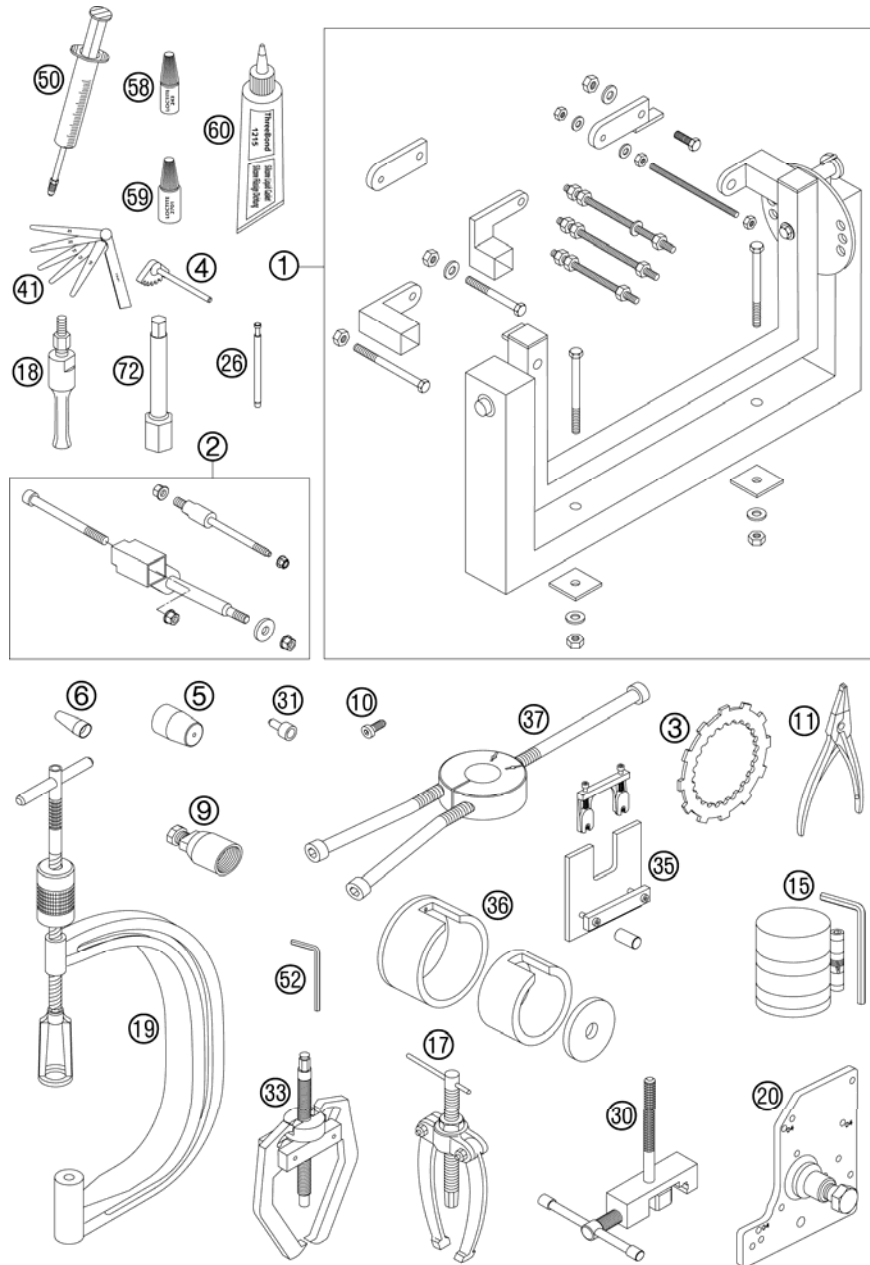
ART.NO.: 3CM090023GEN

ENGLISH



| | | | |
|---|---|--|---|
| SPECIAL TOOLS  3 | ENGINE CASE  4 | CLUTCH COVER  5 | CRANKSHAFT, PISTON  6 |
| BALANCER SHAFT  7 | CYLINDER LINER  8 | CARBURETOR  9 | CLUTCH  12 |
| TRANSMISSION I  13 | TRANSMISSION II  14 | KICKSTARTER  15 | SHIFTING MECHANISM  16 |

| | | | |
|--|--|--|---|
| <p>COOLING SYSTEM</p>  <p>17</p> | <p>CYLINDER HEAD</p>  <p>18</p> | <p>VALVE DRIVE</p>  <p>19</p> | <p>TIMING VALVE</p>  <p>20</p> |
| <p>BREATHER SYSTEM</p>  <p>21</p> | <p>LUBRICATING SYSTEM</p>  <p>22</p> | <p>IGNITION SYSTEM</p>  <p>23</p> | |
| <div style="display: flex; align-items: center;"> <div style="background-color: #cccccc; padding: 20px; margin-right: 20px; text-align: center;"> ! </div> <div> <p>All information contained is without obligation. KTM-Sportmotorcycle AG particularly reserves the right to modify any equipment, technical specifications, prices, colors, shapes, materials, services, service work, constructions, equipment and the like so as to adapt them to local conditions or to cancel any of the above items, all without previous announcement and without giving reasons. KTM may stop manufacturing certain models without previous notice. KTM shall not be held liable for any deviations of availability and/or ability to deliver, illustrations, descriptions, printing and/or other errors. The illustrated models partly contain extra equipment, which is not applied to standard models. © by KTM-SPORTMOTORCYCLE AG, Mattighofen AUSTRIA; All rights reserved; Reprint, also in extracts, with written allowance of KTM-SPORTMOTORCYCLE AG, Mattighofen only.</p> </div> </div> | | | |



| FIG | PART NUMBER | DESCRIPTION | QTY |
|-----|-------------|--------------------------------|-----|
| 1 | 56012001000 | UNIVERSAL MOUNTING RACK '96 | 1 |
| 2 | 80029002100 | ENGINDE HOLDER HUSABERG 04 | 1 |
| 3 | 80029003000 | CLUTCH HOLDER 04 | 1 |
| 4 | 80029004000 | GEAR SEGMENT CPL. 04 | 1 |
| 5 | 80029005000 | MOUNT.SLEEVE F. LEFT SSR C.S. | 1 |
| 5 | 80029105000 | MOUNT.SLEEVE F. RIGHT SSR C.S. | 1 |
| 5 | 80029205000 | MOUNT.SLEEVE F. SSR KICKST.-S. | 1 |
| 6 | 59029005010 | MOUNTING SLEEVE SEAL RING | 1 |
| 9 | 58012009000 | FLYWHEEL EXTRACTOR | 1 |
| 10 | 58030080000 | LOCATING SCREW M8 L=23 | 1 |
| 11 | 51012011000 | SPECIAL CIRCLIP PLIER | 1 |
| 15 | 60029015000 | PISTON RING COMPRESSOR CPL. 03 | 1 |
| 17 | 15112017000 | BUSHING EXTRACTOR | 1 |
| 18 | 15112018000 | INTERN.BEAR.PULLER 12-16 MM | 1 |
| 19 | 59029019000 | VALVE SPRING LEVER | 1 |
| 20 | 80029020000 | HOUSING SEPARATING TOOL 04 | 1 |
| 26 | 59029026006 | LIMIT PLUG GAUGE F.VALVE GUIDE | 1 |
| 30 | 80029030000 | RIVETTING TOOL TIMING CHAIN | 1 |
| 31 | 80029031000 | PROTECTION COVER F. CRANKSHAFT | 1 |
| 33 | 59029033000 | EXTRACTOR FOR TIMING GEAR | 1 |
| 35 | 80029035000 | PRESS OUT TOOL CONROD BEARING | 1 |
| 36 | 80029036000 | PRESS IN TOOL CONROD BEARING | 1 |
| 37 | 58429037037 | MOUNTING TOOL INNER RING NJ206 | 1 |
| 41 | 59029041000 | FEEL. GAUGE SET 10,12,15,20,25 | 1 |
| 50 | 50329050000 | VENT INJEKTION HYDR. CLUTCH | 1 |
| 52 | 80029052000 | SAFETY-TORX TX20 | 1 |
| 58 | 6899785 | LOCTITE 243 BLUE 6CCM | 1 |
| 59 | 80029059000 | LOCTITE 2701 GREEN 5ML | 1 |
| 60 | 309098 | SILICON GASKET THREE-BOND | 1 |
| 72* | 77029072000 | SPARK PLUG KEY 250 SX-F | 1 |

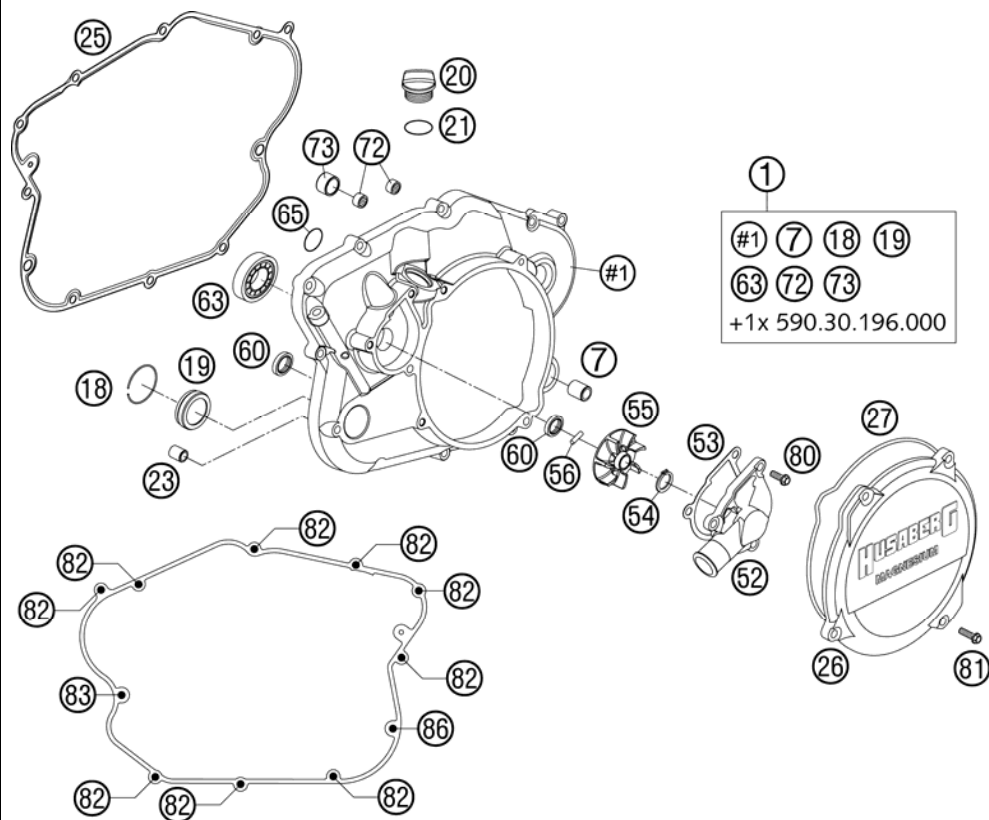
05800290 / C078002900

* NEW PART

X AS REQUIRED

CLUTCH COVER

HUSABERG FE 550-E 2007



| FIG | PART NUMBER | DESCRIPTION | QTY |
|-----|-------------|--------------------------------|------|
| 1 | 80030001044 | CLUTCH COVER CPL. | 04 |
| 7 | 80034007053 | SLIDING SLEEVE PLASTIC-COAT | 03 |
| 18 | 61030019050 | CIRCLIP OIL LEVEL GLASS | 03 |
| 19 | 59030019000 | OIL LEVEL GLASS G 1777 Y | 1 |
| 20 | 58030020000 | PLUG M 24X3 | 1 |
| 21 | 0770191015 | O-RING 19,00X3,00 NBR | 1 |
| 23 | 59030023000 | DOWEL 6X8X11,5 | 2 |
| 25 | 80030025000 | GASKET CLUTCH COVER | 03 |
| 26 | 80030026000 | OUTER CLUTCH COVER | 03 |
| 27 | 80030027100 | GASKET OUTER CLUTCH COVER | 05 |
| 52 | 80035052000 | WATER PUMP COVER | 03 |
| 53 | 80035053000 | GASKET WATER PUMP COVER | 03 |
| 54 | 0471100010 | CIRCLIP DIN0471-10X1 | 1 |
| 55 | 80035055000 | WATER PUMP GEAR | 03 |
| 56 | 0402251980 | NEEDLEROL.DIN5402 NRA 2,5X19,8 | 1 |
| 60* | 0760101844 | SHAFT SEAL RING 10X18X4 BSL V. | 2 |
| 63 | 0625062013 | BALL BEARING SPEC.B.B.SKF 6201 | 1 |
| 65 | 0770173024 | O-RING 17,30X2,40 NBR 70 SH | 1 |
| 72 | 80040060000 | NEEDLE BEARING HK 0810 | 03 |
| 73 | 80040025050 | BUSHING 12X15X9,7 | 1 |
| 80 | 0015060163 | HH COLLAR SCREW M 6X16 | WS=8 |
| 81 | 0015060203 | HH COLLAR SCREW M 6X20 | WS=8 |
| 82 | 0015060253 | HH COLLAR SCREW M 6X25 | WS=8 |
| 83 | 0015060303 | HH COLLAR SCREW M 6X30 | WS=8 |
| 86 | 0015060453 | HH COLLAR SCREW M 6X45 | WS=8 |

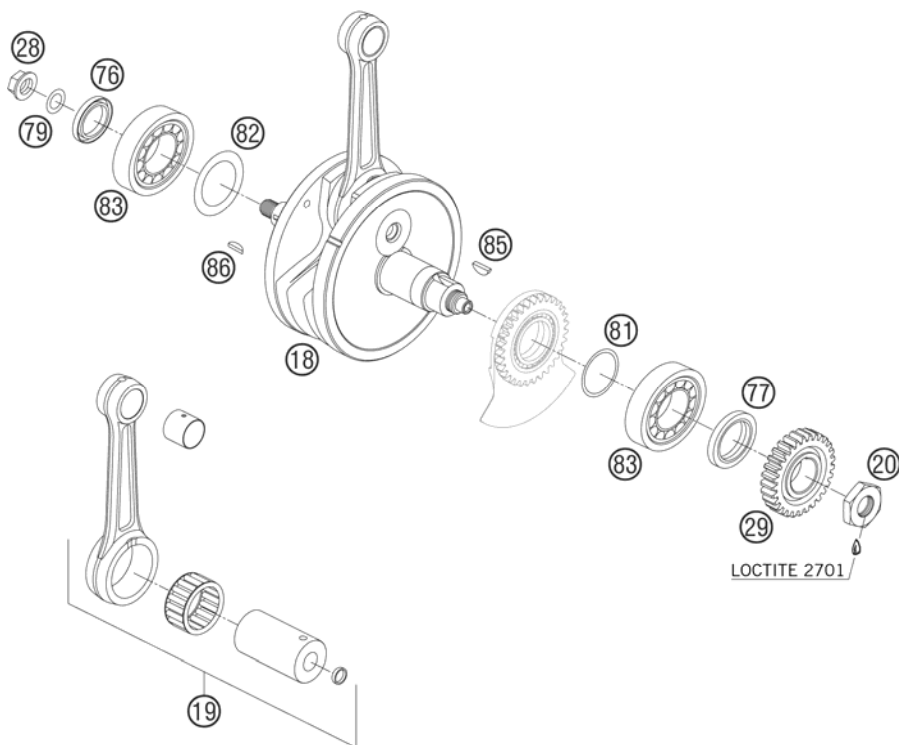
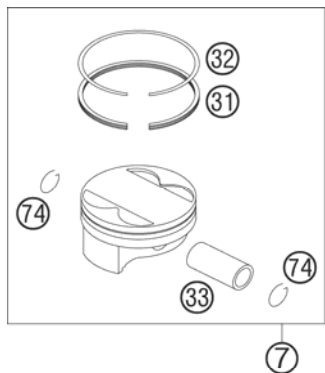
05800301 / C078003003

* NEW PART

X AS REQUIRED

CRANKSHAFT, PISTON

HUSABERG FE 550-E 2007



| FIG | PART NUMBER | DESCRIPTION | QTY |
|-----|----------------|--------------------------------|-----|
| 7 | 81530007000 I | PISTON I CPL. 100 MM 550 03 | 1 |
| 7 | 81530007000 II | PISTON II CPL. 100 MM 550 03 | 1 |
| 18 | 81530018000 | CRANKSHAFT 550 FE, FS CPL. 03 | 1 |
| 19 | 80030015000 | CONROD REP.KIT 501/550 03 | 1 |
| 20 | 80030018020 | NUT M16X1 WS=30 03 | 1 |
| 28 | 51030028100 | COLLAR NUT M12X1 LEFT WS=17 | 1 |
| 29 | 80032000029 | PRIMARY GEAR 29-T 03 | 1 |
| 31 | 60030032000 | OIL SCRAPER RING D=100MM 03 | 1 |
| 32 | 80030032000 | RECTANGULAR RING 100X1,25 | 1 |
| 33 | 59030033000 | PISTON PIN BOLT 20X15,8/12X50 | 1 |
| 74 | 59030074000 | CIRCLIP C20X1,5 | 2 |
| 76 | 0760254071 | SHAF.SEAL RING 25X40X7 BAUM3SL | 1 |
| 77 | 0760305271 | SHAFT SEAL RING 30X52X7 | 1 |
| 79 | 0137120000 | SPRING WASHER DIN0137-B12 | 1 |
| 81 | 80030081010 | THRUST WASHER 31X36X0,10 | x |
| 81 | 80030081020 | THRUST WASHER 31X36X0,20 | x |
| 81 | 80030081030 | THRUST WASHER 31X36X0,30 | x |
| 82 | 56030081000 | THRUST WASHER 30,5X45X0,10 | x |
| 82 | 56030081100 | THRUST WASHER 30,7X47X0,15 | x |
| 82 | 56030081200 | THRUST WASHER 30,5X45X0,30 | x |
| 83 | 80030019000 | CYL.ROLLBEAR.NJ206ECP/C3HVC058 | 2 |
| 85 | 6946005 | WOODRUFF KEY 5X6,5 HARDED | 1 |
| 86 | 0888030050 | WOODRUFF KEY DIN6888-3X5X13 | 1 |

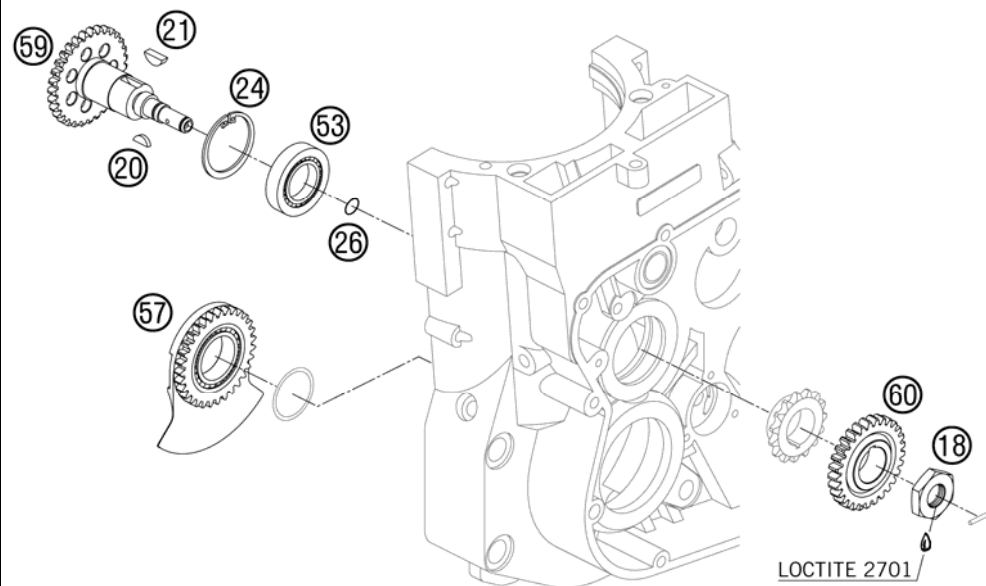
078003004 / C078003005

* NEW PART

X AS REQUIRED

BALANCER SHAFT

HUSABERG FE 550-E 2007



| FIG | PART NUMBER | DESCRIPTION | QTY |
|-----|-------------|--------------------------------|-----|
| 18 | 80030018020 | NUT M16X1 WS=30 03 | 1 |
| 20 | 0888030050 | WOODRUFF KEY DIN6888-3X5X13 | 1 |
| 21 | 6946005 | WOODRUFF KEY 5X6,5 HARDED | 1 |
| 24 | 0472042175 | CIRCLIP DIN0472-42X1,75 | 1 |
| 26* | 0770010012 | O-RING 10, 00X1, 20 NBR | 1 |
| 53 | 0625069050 | BALL BEARING 6905 J1LLUC3 | 1 |
| 57* | 80030057100 | BALANCER SHAFT CPL. 450-650 06 | 1 |
| 59 | 80030059000 | MAIN SHAFT BALANCER SHAFT 03 | 1 |
| 60 | 80030059050 | GEAR WHEEL B.SH.-SHAFT 29-T 03 | 1 |

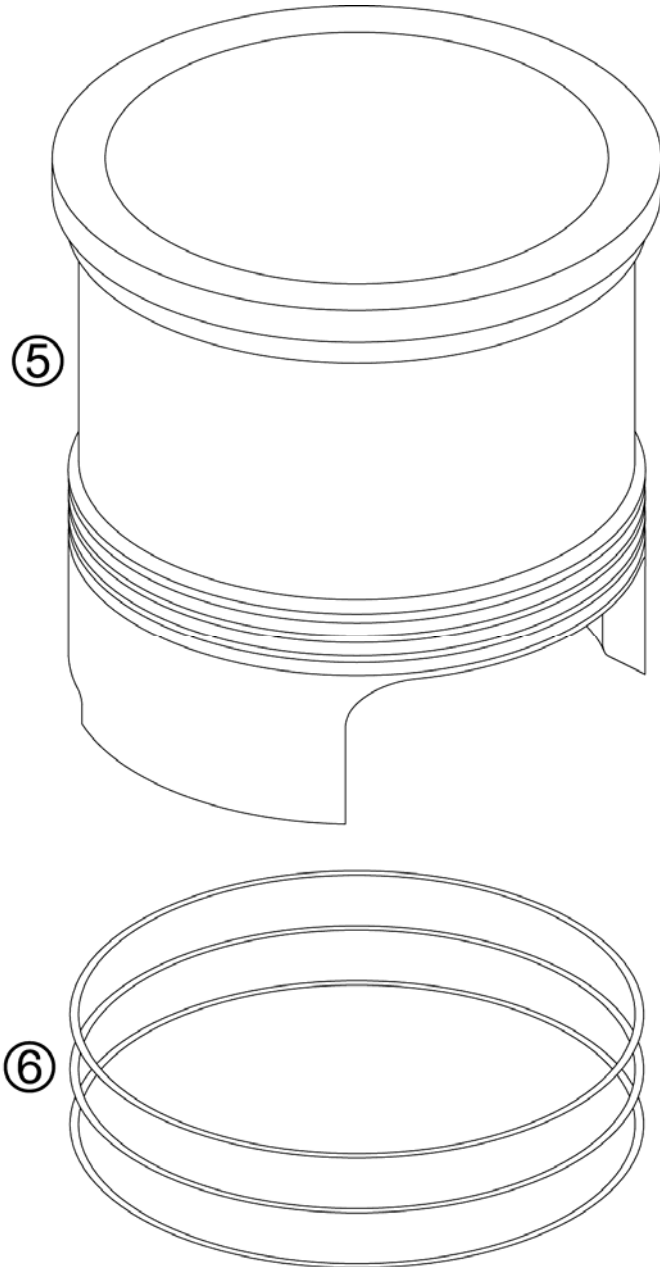
06800304 / C078003007

* NEW PART

X AS REQUIRED

CYLINDER LINER

HUSABERG FE 550-E 2007



| FIG | PART NUMBER | DESCRIPTION | QTY |
|-----|-------------|-----------------------------|-----|
| 5 | 81530005000 | CYLINDER LINER 100MM 550 03 | 1 |
| 6 | 0770102020 | O-RING 102,00X2,00 VITON 02 | 3 |

05800305 / C078003009

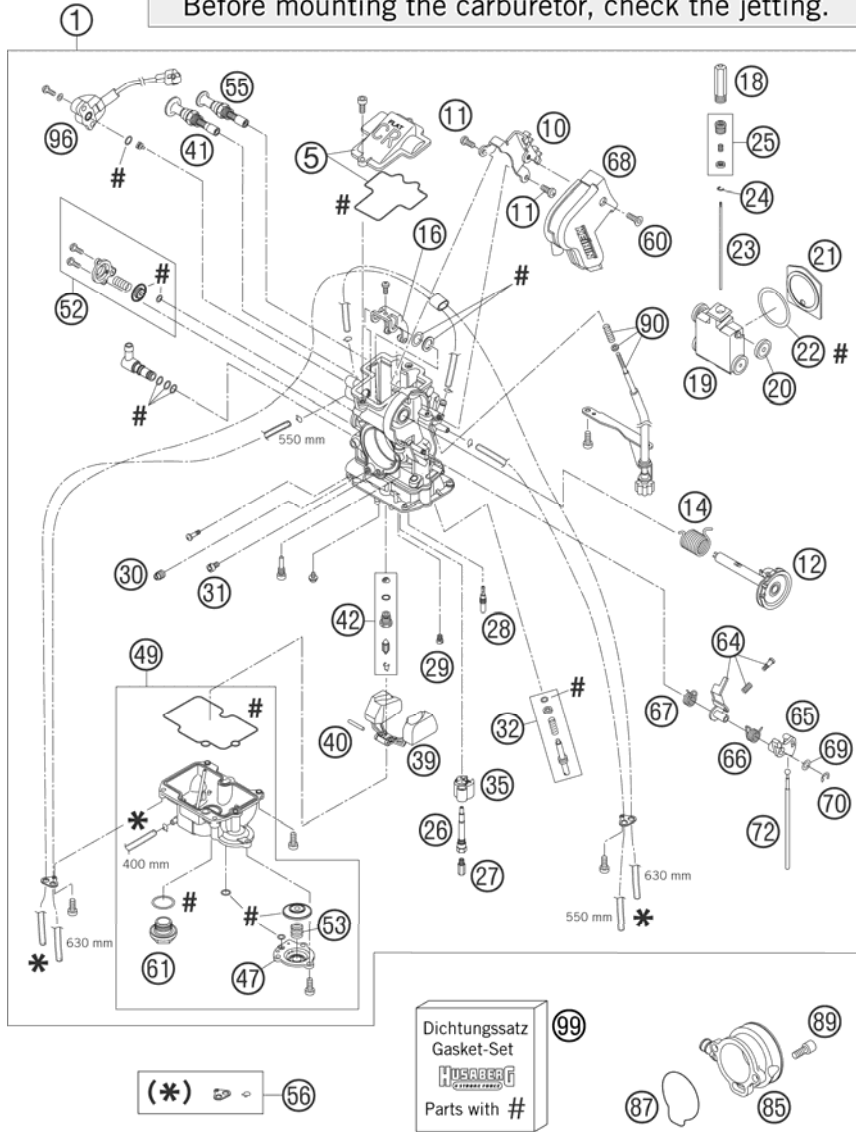
* NEW PART

X AS REQUIRED

CARBURETOR

HUSABERG FE 550-E 2007

ACHTUNG !!!
Vor dem Einbau des Vergasers, Bedüsung kontrollieren.
CAUTION !!!
Before mounting the carburetor, check the jetting.



| FIG | PART NUMBER | DESCRIPTION | QTY |
|-----|-------------|--|-----|
| 1 | 80031001400 | CARBURETOR KEIHIN FCR-MX41 05 | 1 |
| 5* | 57331027044 | CARBURETOR COVER WITH GASKET | 1 |
| 10 | 57331080000 | BRACKET PLATE FOR THR. CABLE | 1 |
| 11 | 57331055000 | SCREW M 5 X 8 | 2 |
| 12 | 57331046000 | THROTTLE SHAFT CPL. | 1 |
| 14 | 57331046050 | COIL SPRING THROTTLE SHAFT | 1 |
| 16 | 57331035051 | LINK ARM THROTTLE VALVE CPL. | 1 |
| 18 | 59031029006 | SLIDE STOP L=44MM 04 450-650 FE+FS (EU+AUS) | 1 |
| 19 | 57331035000 | THROTTLE VALVE CPL. | 1 |
| 20 | 59031035050 | BUSHING THROTTLE VALVE | 4 |
| 21 | 57331035153 | GASKET PLATE THROTTLE VALVE 04 | 1 |
| 22 | 59031035052 | GASKET WASHER THROTTLE VALVE | 1 |
| 23 | 57331034300 | JET NEEDLE KEIHIN OBEKR | x |
| 23 | 59031023200 | JET NEEDLE KEIHIN OBDVT 450-650 FE+FS | 1 |
| 24 | 59031029000 | BAR CLIP | 1 |
| 25 | 57331032000 | NEEDLE SET SCREW CPL. | 1 |
| 26 | 59031121000 | NEEDLE JET FCR-MX | 1 |
| 27 | 54531623160 | MAIN JET 160 KEIHIN 650 FE+FS | 1 |
| 27 | 54531623162 | MAIN JET 162 KEIHIN | x |
| 27 | 54531623165 | MAIN JET 165 KEIHIN | x |
| 27 | 54531623168 | MAIN JET 168 KEIHIN | x |
| 27 | 54531623170 | MAIN JET 170 KEIHIN | x |
| 27 | 54531623172 | MAIN JET 172 KEIHIN | x |
| 27 | 54531623175 | MAIN JET 175 KEIHIN | x |
| 27 | 54531623178 | MAIN JET 178 KEIHIN 450 FE+FS | 1 |
| 27 | 54531623180 | MAIN JET 180 KEIHIN | x |
| 27 | 54531623182 | MAIN JET 182 KEIHIN 550 FE | 1 |
| 27 | 54531623185 | MAIN JET 185 KEIHIN | x |
| 27 | 54531623188 | MAIN JET 188 KEIHIN | x |
| 27 | 54531623190 | MAIN JET 190 KEIHIN | x |
| 28 | 54531607038 | IDLE JET 38 KEIHIN 450-650 FE+FS | 1 |

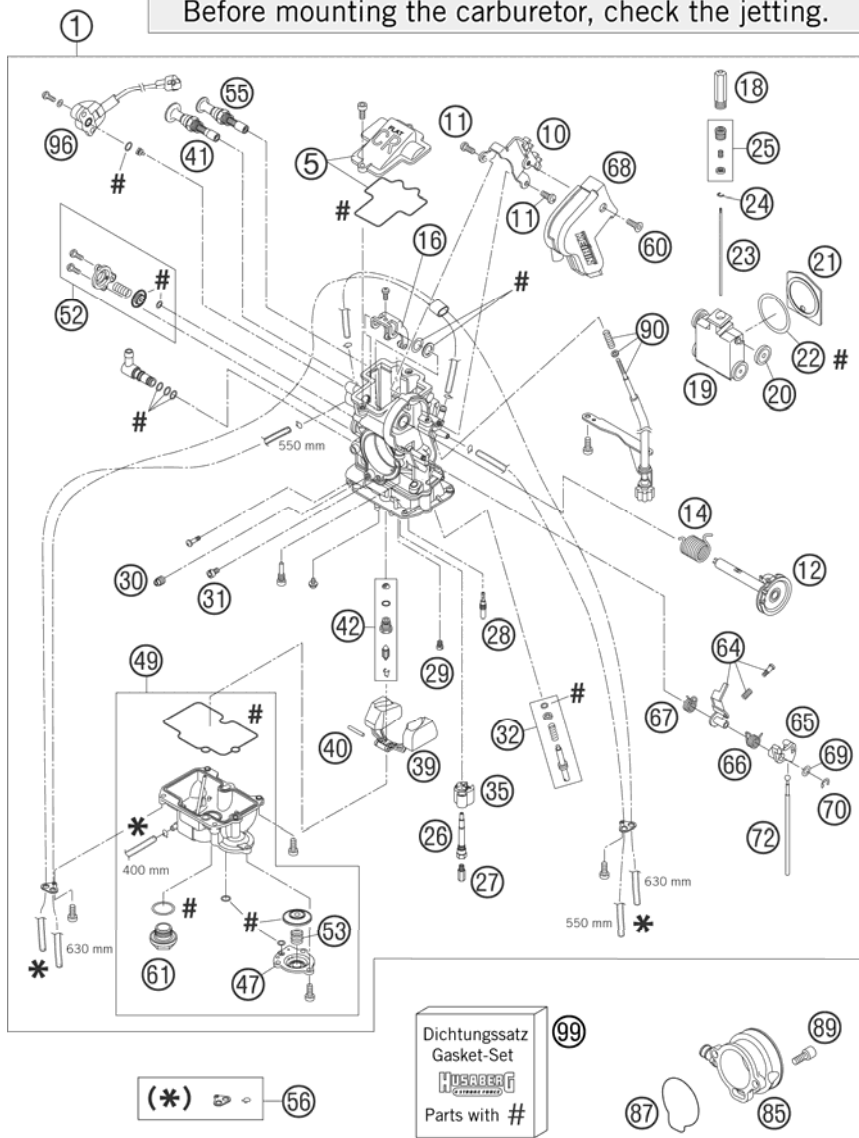
078003100 / C078003101

* NEW PART

X AS REQUIRED



ACHTUNG !!!
Vor dem Einbau des Vergasers, Bedüsung kontrollieren.
CAUTION !!!
Before mounting the carburetor, check the jetting.

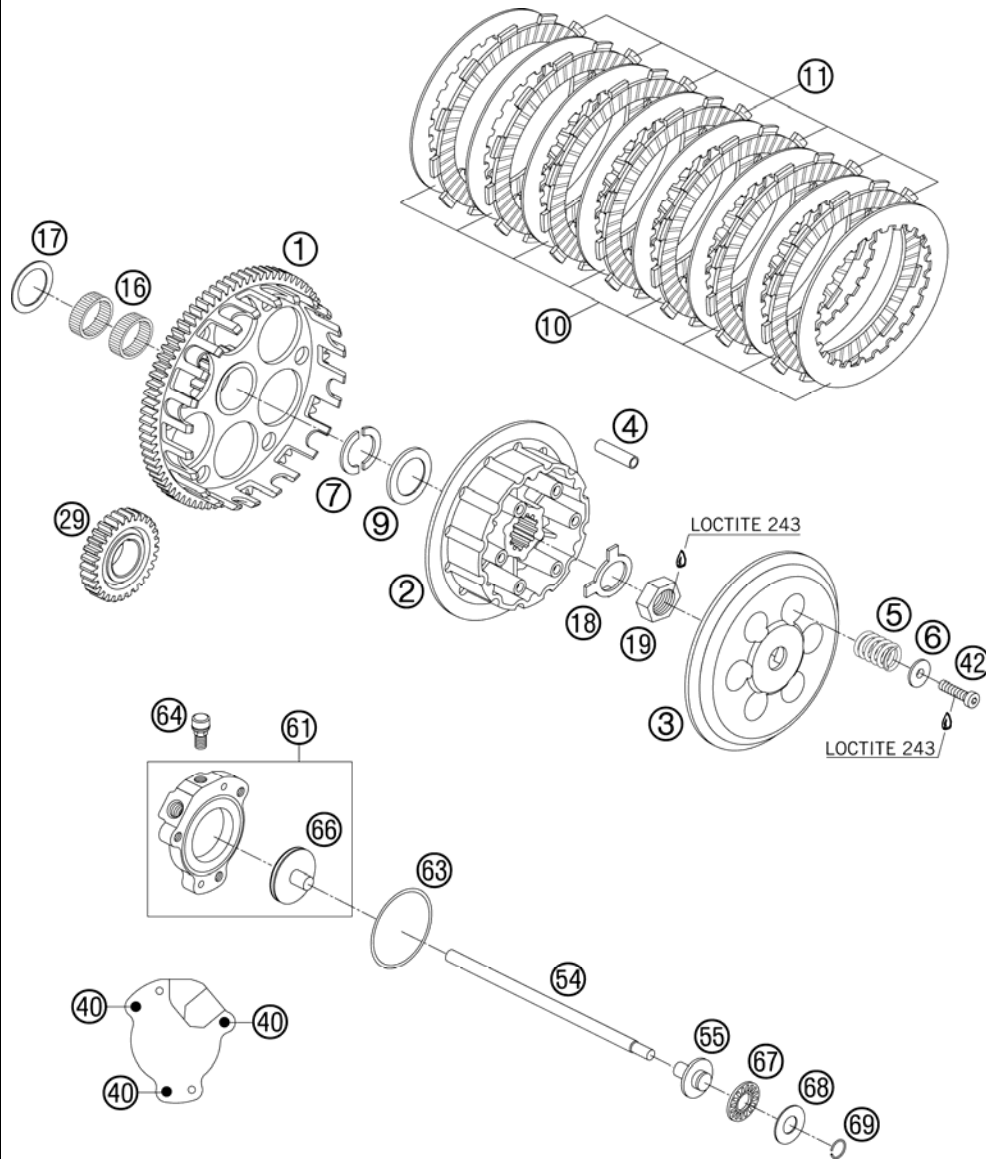


| FIG | PART NUMBER | DESCRIPTION | QTY |
|-----|-------------|--|-----|
| 28 | 54531607040 | IDLE JET 40 KEIHIN | x |
| 28 | 54531607042 | IDLE JET 42 KEIHIN | x |
| 28 | 54531607045 | IDLE JET 45 KEIHIN | x |
| 29 | 59031051085 | STARTER JET 85 | 1 |
| 30 | 57331007100 | IDLE AIR JET 100 KEIHIN | 1 |
| 31 | 57331037200 | MAIN AIR JET 200 KEIHIN | 1 |
| 32 | 59031017100 | ADJUST SCREW CPL. FCR-MX | 1 |
| 35 | 57331085000 | BUFFER PLATE | 1 |
| 39 | 57331009000 | FLOAT CPL. | 1 |
| 40 | 57331008000 | ARM PIN FLOAT | 1 |
| 41 | 57331075000 | HOT-STARTER VALVE CPL. | 1 |
| 42 | 57331020000 | NEEDLE VALVE CPL. | 1 |
| 47 | 57331060000 | COVER ACCELERATOR PUMP | 1 |
| 49 | 80031011044 | FLOAT CHAMBER CPL. SET 04 | 1 |
| 52 | 57331090000 | AIR CUT VALVE 2002 ONLY FOR 650 FE+FS | 1 |
| 53 | 59031059000 | COIL SPRING | 1 |
| 55 | 57331048000 | STARTER VALVE CPL. | 1 |
| 56 | 80031098000 | BREATH.HOSE FCR-MX KEIHIN CPL. | 1 |
| 60 | 0965050103 | FLAT HEAD SCREW DIN0965-M 5X10 | 1 |
| 61 | 54531699000 | PLUG M 18X1 | 1 |
| 64 | 57331062000 | INTERMEDIATE LEVER CPL. | 1 |
| 65 | 57331056000 | LINK LEVER | 1 |
| 66 | 57331059000 | SPRING LINK LEVER | 1 |
| 67 | 57331159000 | SPRING INTERMEDIATE LEVER | 1 |
| 68 | 57331038000 | CARBURETOR COVER | 1 |
| 69 | 57331087000 | WASHER LINK LEVER | 1 |
| 70 | 57331084000 | E-CLIP | 1 |
| 72 | 57331061000 | ROD ACCELERATOR PUMP | 1 |
| 85 | 59031040200 | INTAKE FUNNEL FCR/FCR-MX 02 SIDWARDS CLOSED | 1 |
| 87 | 59031040010 | O-RING FOR INTAKE FUNNEL | 1 |
| 89 | 0912050123 | AH SCREW DIN0912-M 5X12 | 2 |
| 90 | 80031025000 | STOP SCREW CPL. FCR-MX 04 | 1 |
| 96 | 57331077000 | TPS-SENSOR FCRMX 140MM 2002 | 1 |
| 99 | 57331099000 | GASKET SET FCR-MX KEIHIN | 1 |

078003100 / C078003101

* NEW PART

X AS REQUIRED



| FIG | PART NUMBER | DESCRIPTION | QTY |
|-----|-------------|--------------------------------|-----|
| 1 | 80032000078 | OUTER CLUTCH HUB 03 | 1 |
| 2* | 59032002500 | INNER HUB - RACING 2007 | 1 |
| 3* | 59032003500 | PRESSURE CAP WITH OIL BORE 07 | 1 |
| 4 | 59032004000 | DRIVING SLEEVE D=8,L=31 2002 | 12 |
| 5 | 59032005000 | CLUTCH SPRING 2,5X43MM | 6 |
| 6 | 59032006050 | SPRING RETAINER 6,2X12X18X5,2 | 6 |
| 7 | 59032007000 | HALF-WASHER 03 | 2 |
| 9 | 59032009000 | STEPPED WASHER 03 | 1 |
| 10 | 59032010100 | INTERMEDIATE DISC 1MM 2002 | 8 |
| 11 | 59032011100 | LINING DISC 2MM 04 | 7 |
| 16 | 0405252910 | NEEDLE BEAR K 25X29X10 | 2 |
| 17 | 59032017000 | SUPPORTWASHER 25X35X1 | 1 |
| 18 | 56532018000 | LOCK WASHER | 1 |
| 19 | 0936181505 | HEXAGON NUT DIN0936-M18X1,5 R. | 1 |
| 29 | 80032000029 | PRIMARY GEAR 29-T 03 | 1 |
| 40 | 0912050163 | AH SCREW DIN0912-M 5X16 | 3 |
| 42 | 0984060252 | AH SCREW DIN6912 M6X25 | 6 |
| 54 | 80032054000 | PUSH ROD 03 | 1 |
| 55 | 50332054051 | PRESSURE PIECE 125-380 '98 | 1 |
| 61 | 80032061044 | OUTPUT CYLINDER CPL. 2004 | 1 |
| 63 | 0770045015 | O-RING 45,00X1,50 NBR 70 | 1 |
| 64 | 54732064000 | BLEEDER SCREW WITH CAP | 1 |
| 66 | 80032066000 | PISTON + O-RING 2004 | 1 |
| 67 | 54637097200 | AXIAL NEEDLE BEARING AXK 1226 | 1 |
| 68 | 54637098200 | AXIAL WASHER AS1226 12X26X1 | 1 |
| 69 | 0993012000 | CIRCLIP DIN7993-RW12 | 1 |

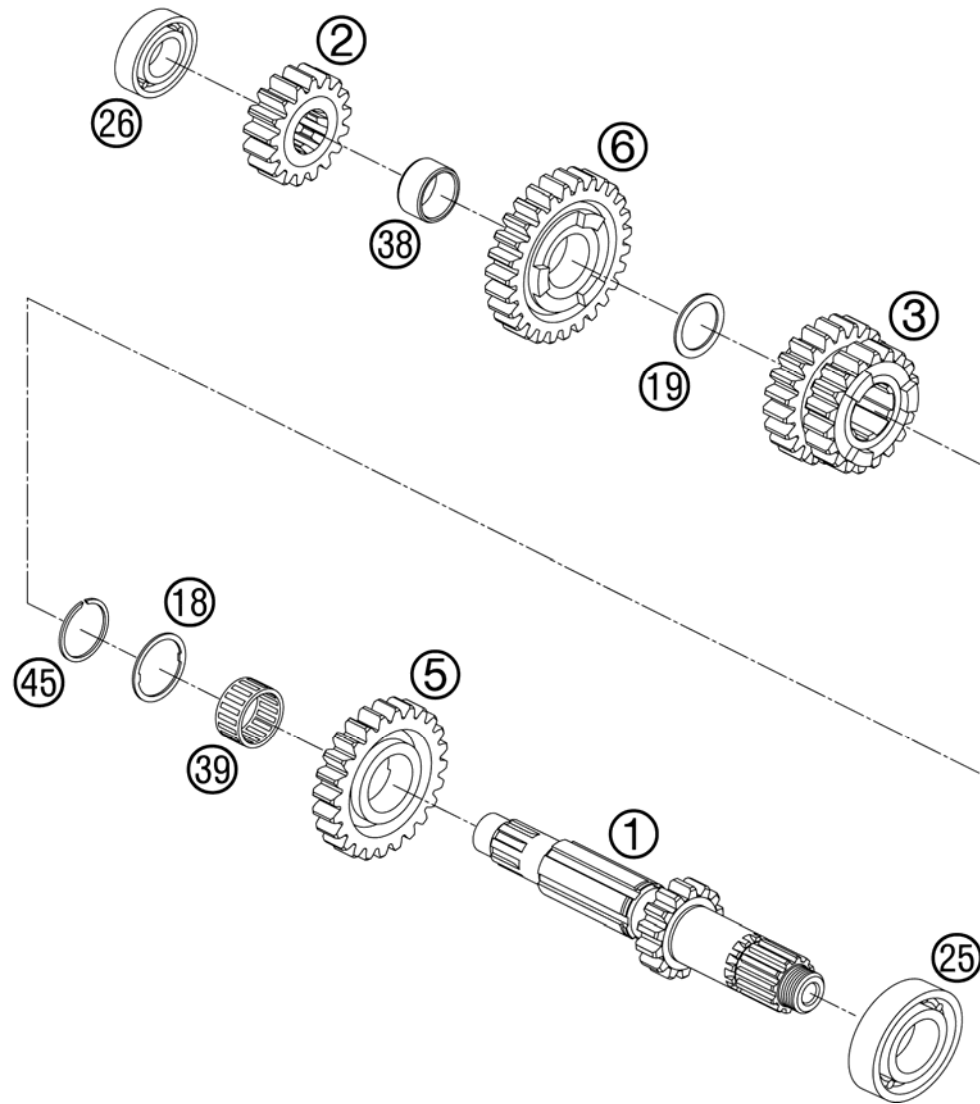
05800320 / C078003200

* NEW PART

X AS REQUIRED

TRANSMISSION I

HUSABERG FE 550-E 2007

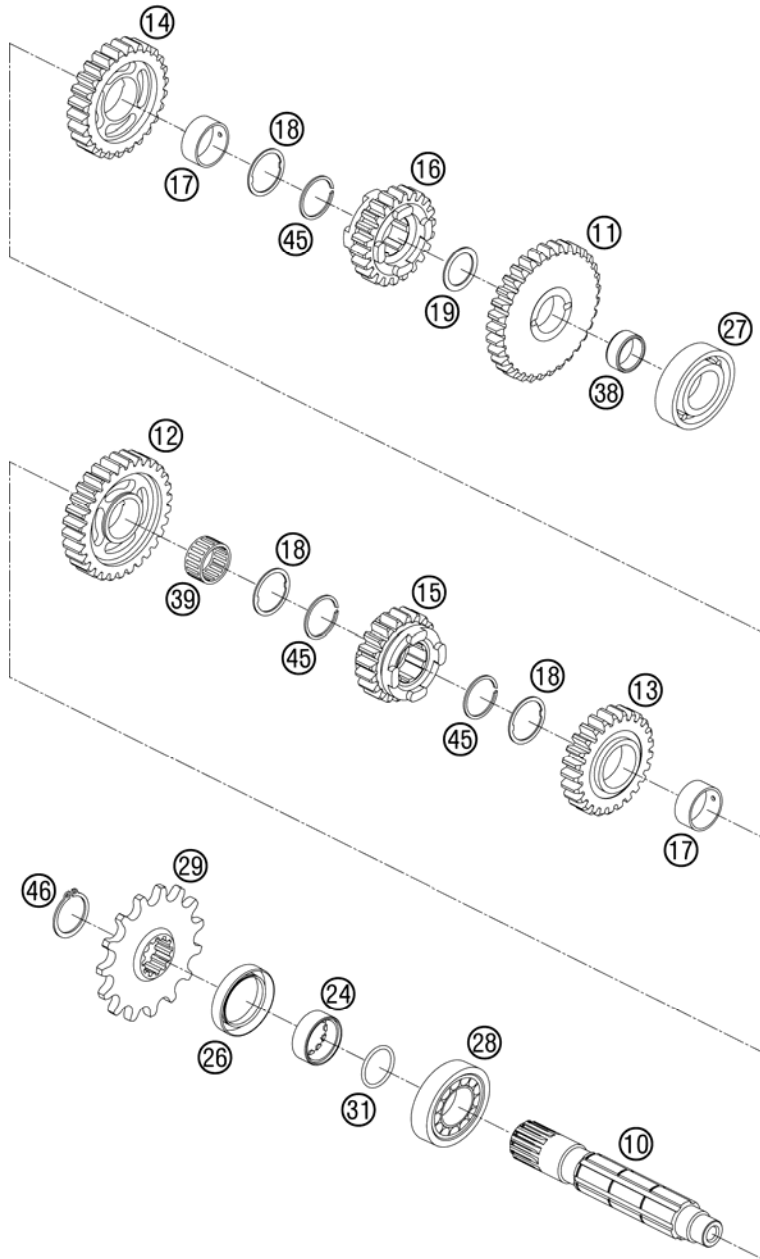


| FIG | PART NUMBER | DESCRIPTION | QTY |
|-----|-------------|--------------------------------|-----|
| 1 | 80033001000 | MAIN SHAFT 04 | 1 |
| 2 | 80033002017 | SOLID GEAR 2ND G 17-T | 1 |
| 3 | 80033003019 | SLIDING GEAR 3RD/4TH G 19/23-T | 1 |
| 5 | 80033005024 | IDLER GEAR 5TH G 24-T | 1 |
| 6 | 80033006027 | IDLER GEAR 6TH G 27-T | 1 |
| 18 | 80033018000 | STOP DISC 25X30X1 | 1 |
| 19 | 80033019000 | STOP DISC 21X28X1 | 1 |
| 25 | 0625062054 | BALL BEARING 6205 C3 NTN | 1 |
| 26 | 0625062034 | BALL BEARING 6203 JR C3 | 1 |
| 38 | 0405202413 | NEEDLE BEAR. K20X24X13 | 1 |
| 39 | 0405222613 | NEEDLE BEAR. K 22X26X13 TN | 1 |
| 45 | 0417025000 | CIRCLIP SW25 | 1 |

04800332 / C06800332

* NEW PART

X AS REQUIRED

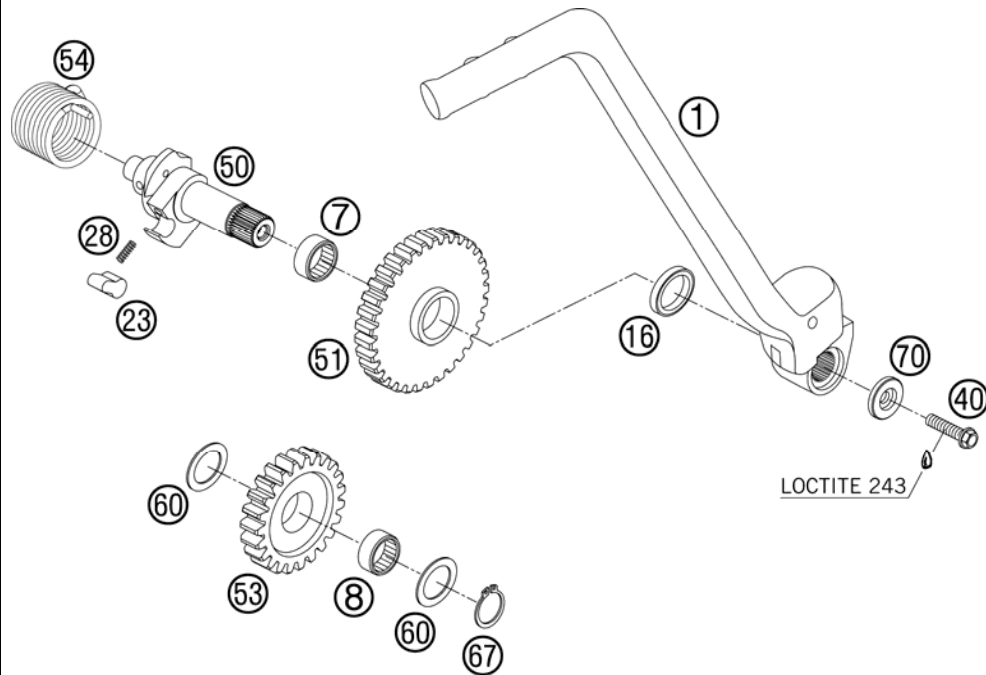


| FIG | PART NUMBER | DESCRIPTION | QTY |
|-----|-------------|-------------------------------|-----|
| 10 | 80033010000 | COUNTERSHAFT 04 | 1 |
| 11 | 80033011033 | IDLER GEAR 1ST G 33-T | 1 |
| 12 | 80033012030 | IDLER GEAR 2ND G 30-T | 1 |
| 13 | 80033014025 | IDLER GEAR 4TH G 25-T | 1 |
| 14 | 80033013026 | IDLER GEAR 3RD G 26-T | 1 |
| 15 | 80033016020 | SLIDING GEAR 6TH G 20-T | 1 |
| 16 | 80033015022 | SLIDING GEAR 5TH G 22-T | 1 |
| 17 | 80033007000 | BUSHING 25X28X12 | 2 |
| 18 | 80033018000 | STOP DISC 25X30X1 | 3 |
| 19 | 80033019000 | STOP DISC 21X28X1 | 1 |
| 24 | 80033014000 | SPACER BUSHING 11MM 03 | 1 |
| 26 | 0760304270 | SH.SEAL RING 30X42X7 BAU2SLX2 | 1 |
| 27 | 0625062034 | BALL BEARING 6203 JR C3 | 1 |
| 28 | 49030023000 | CYL.ROLL BEARING NJ205 | 1 |
| 29 | 80033029013 | SPROCKET 13-T 03 | 1 |
| 29 | 80033029014 | SPROCKET 14-T 03 | 1 |
| 29 | 80033029015 | SPROCKET 15-T 03 | 1 |
| 29 | 80033029016 | SPROCKET 16-T 03 | 1 |
| 31 | 0770022016 | O-RING 22,10X1,60 NBR 70 SH | 1 |
| 38 | 50033098000 | NEEDLE BEARING K20X24X10 | 1 |
| 39 | 0405222613 | NEEDLE BEAR. K 22X26X13 TN | 1 |
| 45 | 0417025000 | CIRCLIP SW25 | 3 |
| 46 | 0471250120 | CIRCLIP DIN0471-25X1,2 | 1 |

05800333 / C06800333

* NEW PART

X AS REQUIRED



| FIG | PART NUMBER | DESCRIPTION | QTY |
|-----|-------------|------------------------------|-----|
| 1 | 80033070100 | KICKSTARTER CPL. 2005 | 1 |
| 7 | 0405182210 | NEEDLE BEARING K 18X22X10 02 | 1 |
| 8 | 0405172110 | NEEDLE BEARING K 17X21X10 | 1 |
| 16 | 0760182442 | SHAFT SEAL RING 18X24X4 | 1 |
| 23 | 80033023000 | LOCKING PAWL KICK 03 | 1 |
| 28 | 80033028000 | RATCHET SPRING 03 | 1 |
| 40 | 0015060253 | HH COLLAR SCREW M 6X25 WS=8 | 1 |
| 50 | 80033050000 | KICKSTARTER SHAFT 03 | 1 |
| 51 | 80033051000 | KICKSTARTER GEAR 03 | 1 |
| 53 | 80033053000 | INTERMEDIATE GEAR 03 | 1 |
| 54 | 80033054000 | KICKSTARTER SPRING 03 | 1 |
| 60 | 54633090000 | STOP DISK 17,2X25X1 | 2 |
| 67 | 0471170010 | CIRCLIP DIN0471-17X1 | 1 |
| 70 | 80033070150 | STEPPED WASHER KICKSTARTER | 1 |

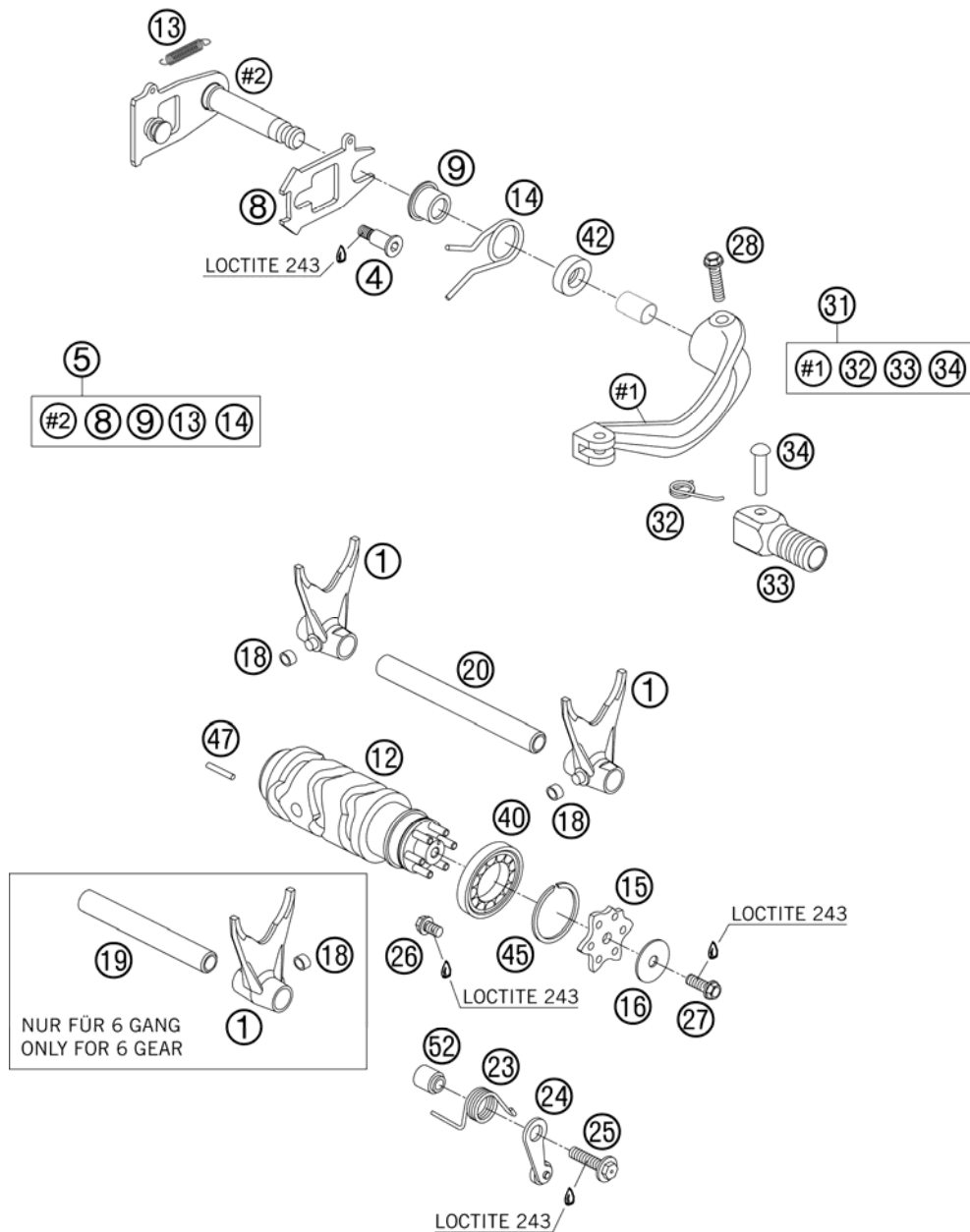
05800330 / C078003300

* NEW PART

X AS REQUIRED

SHIFTING MECHANISM

HUSABERG FE 550-E 2007



| FIG | PART NUMBER | DESCRIPTION | QTY |
|-----|-------------|--------------------------------|-----|
| 1 | 80034001000 | SHIFTING FORK | 03 |
| 4 | 80034014050 | SPECIAL SCREW RETAINING SPRING | 1 |
| 5 | 80034005000 | SHIFTING SHAFT CPL. | 03 |
| 8 | 80034008000 | SLIDING PLATE | 03 |
| 9 | 80034009000 | SPRING GUIDE | 03 |
| 12 | 80034012000 | SHIFTING DRUM | 03 |
| 13 | 80034013000 | TENSIONING SPRING | 03 |
| 14 | 80034014000 | RETAINING SPRING | 03 |
| 15 | 80034015000 | POSITIONING STAR | 03 |
| 16 | 80034015150 | WASHER POS. STAR 6,4X24X1,2 | 1 |
| 18 | 50334018100 | SHIFTING ROLLER 6X8X5,2 | x |
| 19 | 80034019000 | SHIFT RAIL MAIN SHAFT | 03 |
| 20 | 80034020000 | SHIFT RAIL COUNTERSHAFT | 03 |
| 23 | 80034023000 | SPRING FOR LOCKING LEVER | 03 |
| 24 | 80034024000 | LOCKING LEVER CPL. | 03 |
| 25 | 80034024050 | SPECIAL SCREW M 6X25 | 1 |
| 26 | 0015060103 | HH COLLAR SCREW M 6X10 WS=8 | 1 |
| 27 | 0015060163 | HH COLLAR SCREW M 6X16 WS=8 | 1 |
| 28 | 0015060253 | HH COLLAR SCREW M 6X25 WS=8 | 1 |
| 31 | 80034031000 | SHIFTING LEVER CPL. | 03 |
| 32 | 54634032100 | SHIFTING LEVER SPRING 250 | 1 |
| 33 | 54634131000 | STEP PLATE FOR SHIFT LEVER 250 | 1 |
| 34 | 54634031050 | BOLT 6X25 FOR SHIFT LEVER | 1 |
| 40 | 0625068060 | BALL BEARING 6806 C3 | 1 |
| 42 | 0760122270 | SHAFT SEAL RING 12 X 22 X 7 B | 1 |
| 45 | 80034012050 | CIRCLIP SW30X1,5 | 1 |
| 47 | 0481030220 | TENSION PIN DIN1481 3X22 | 1 |
| 52 | 80034052000 | SLEEVE FOR LOCKING LEVER | 03 |

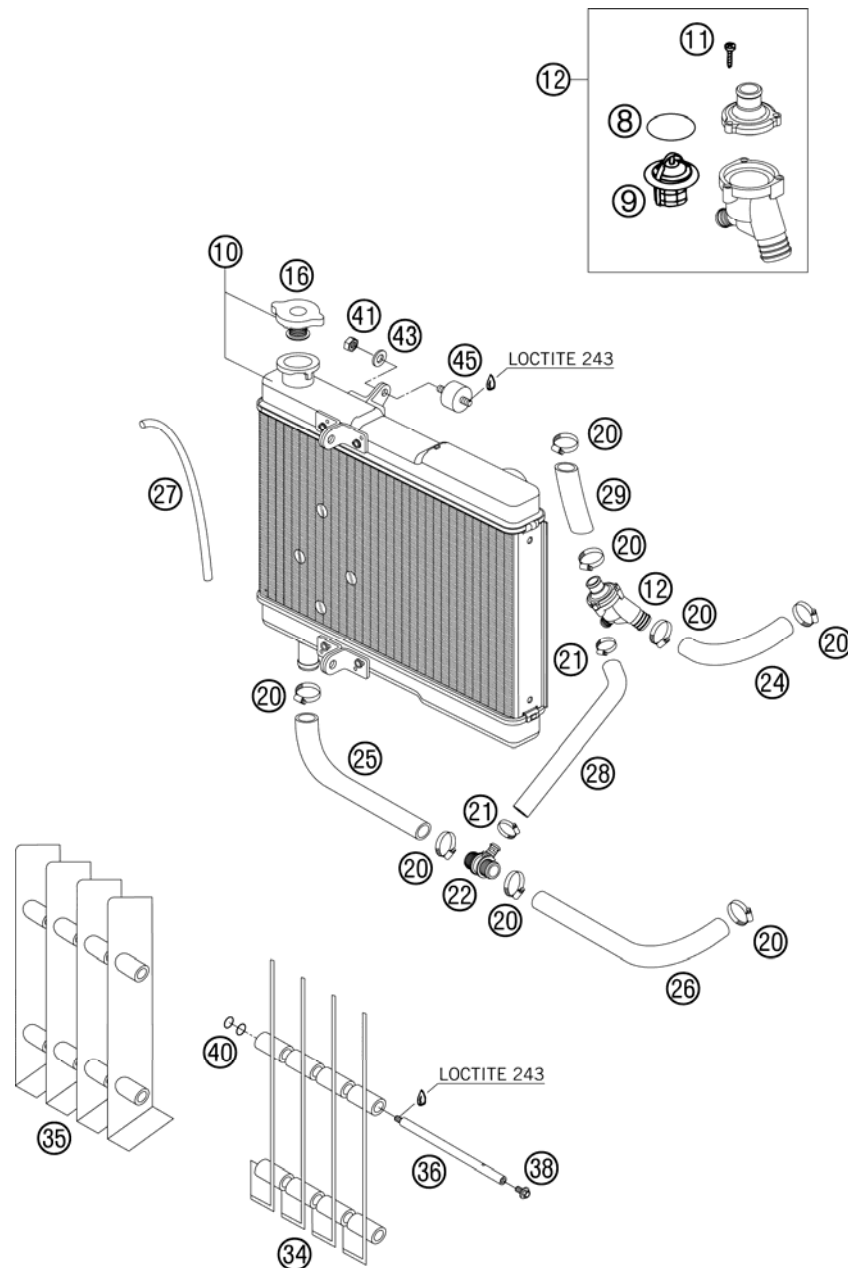
05800340 / C06800340

* NEW PART

X AS REQUIRED

COOLING SYSTEM

HUSABERG FE 550-E 2007



| FIG | PART NUMBER | DESCRIPTION | QTY |
|-----|-------------|--------------------------------|-----|
| 8 | 0770320020 | O-RING 32,00X2,00 | 1 |
| 9 | 59435017000 | THERMOSTAT 70 DEGREES 04 | 1 |
| 10 | 80035010100 | RADIATOR "45493B" 2006 | 1 |
| 11 | 0016040183 | SCREW FOR PLASTIC D=4X18 | 3 |
| 12 | 80035013044 | THERMOSTAT CPL. 2005 | 1 |
| 16 | 58035016000 | RADIATOR CAP SMALL 20,3 PSI | 1 |
| 20 | 10001020000 | HOSE CLAMP GEMI 16-27 | 8 |
| 21 | 58335099000 | HOSE CLAMP GEMI 10-16 | 2 |
| 22 | 80035027004 | T-CONNECTOR 05 | 1 |
| 24 | 81535024000 | HOSE CYLINDER-THERMOST. 550 05 | 1 |
| 25 | 80035027002 | HOSE 2 THERMOSTAT 05 | 1 |
| 26 | 80035027001 | HOSE 1 THERMOSTAT 05 | 1 |
| 27 | 31007107001 | PVC-HOSE 6X9 MM PER METER | x |
| 28 | 80035027003 | HOSE 3 THERMOSTAT 05 | 1 |
| 29 | 80035026000 | HOSE THERMOSTAT- RADIATOR 05 | 1 |
| 34 | 80035034000 | RADIATOR PROTECTOR L/S 04 | 4 |
| 35 | 80035035000 | RADIATOR PROTECTOR R/S 04 | 4 |
| 36 | 80035036000 | BOLT FOR RADIAT. PROTECTOR 04 | 4 |
| 38 | 0014060103 | HH COLLAR SCREW M 6X10 WS=8 | 2 |
| 40 | 0770010015 | O-RING 10,00X1,50 NBR 70 SH | 8 |
| 41 | 0985060003 | SELF LOCK. NUT DIN0985-M 6 | 3 |
| 43 | 0021060003 | WASHER DIN9021-A 6,4 | 3 |
| 45 | 80035005000 | VIBRAT. DAMP. 25X15M6X10/15 04 | 3 |

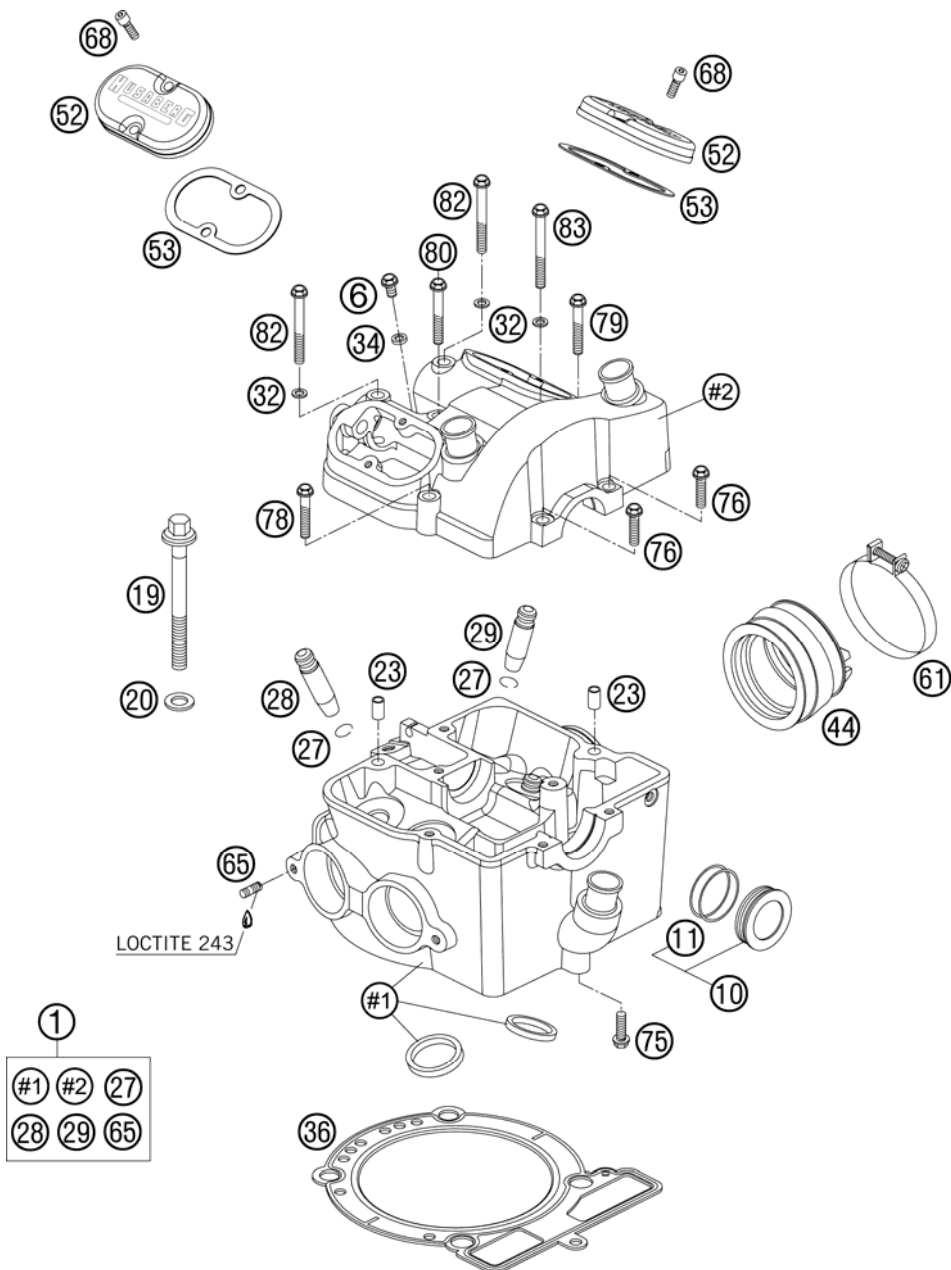
06800351 / C078003501

* NEW PART

X AS REQUIRED

CYLINDER HEAD

HUSABERG FE 550-E 2007



| FIG | PART NUMBER | DESCRIPTION | QTY |
|-----|-------------|--------------------------------|-----|
| 1 | 80036020044 | CYLINDER HEAD CPL. 04 | 1 |
| 6 | 59036006090 | VENT SCREW M6X10 CPL. | 1 |
| 10 | 80036010050 | CLOSING COVER 03 | 1 |
| 11 | 0770291016 | O-RING 29,10X1,60 NBR 70 | 2 |
| 19 | 58036099100 | COLLAR SCREW M10X80 WS=13 10.9 | 4 |
| 20 | 59036090000 | WASHER 10,8X18,8X1,5 | 4 |
| 23 | 59030023000 | DOWEL 6X8X11,5 | 2 |
| 27 | 0993012000 | CIRCLIP DIN7993-RW12 | 4 |
| 28* | 59036026101 | VALVE GUIDE EXHAUST | 2 |
| 29* | 59036025101 | VALVE GUIDE INTAKE | 2 |
| 32 | 0603061001 | CU-SEAL RING DIN7603-6X10X1 | 3 |
| 34 | 58036065100 | CU-SEAL RING 6 X 10 X 2 | 1 |
| 36 | 81030036000 | CYLINDER HEAD GASKET 03 | 1 |
| 44 | 80036044000 | INTAKE BOOD 450/501/550 04 | 1 |
| 52 | 80036052000 | VALVE COVER 03 | 2 |
| 53 | 80036053000 | GASKET FOR VALVE COVER 03 | 2 |
| 61 | 59030061000 | CLAMP D=56MM B=9MM M4X25 | 2 |
| 65 | 0939060163 | STUD DIN939-M 6X16 | 2 |
| 68 | 0912050163 | AH SCREW DIN0912-M 5X16 | 4 |
| 75 | 0015060203 | HH COLLAR SCREW M 6X20 WS=8 | 1 |
| 76 | 0015060253 | HH COLLAR SCREW M 6X25 WS=8 | 2 |
| 78 | 0015060353 | HH COLLAR SCREW M 6X35 WS=8 | 1 |
| 79 | 0015060403 | HH COLLAR SCREW M 6X40 WS=8 | 1 |
| 80 | 0015060453 | HH COLLAR SCREW M 6X45 WS=8 | 1 |
| 82 | 0015060556 | HH COLLAR SCR. M6X55 WS=8 10.9 | 2 |
| 83 | 0015060603 | HH COLLAR SCREW M 6X60 WS=8 | 1 |

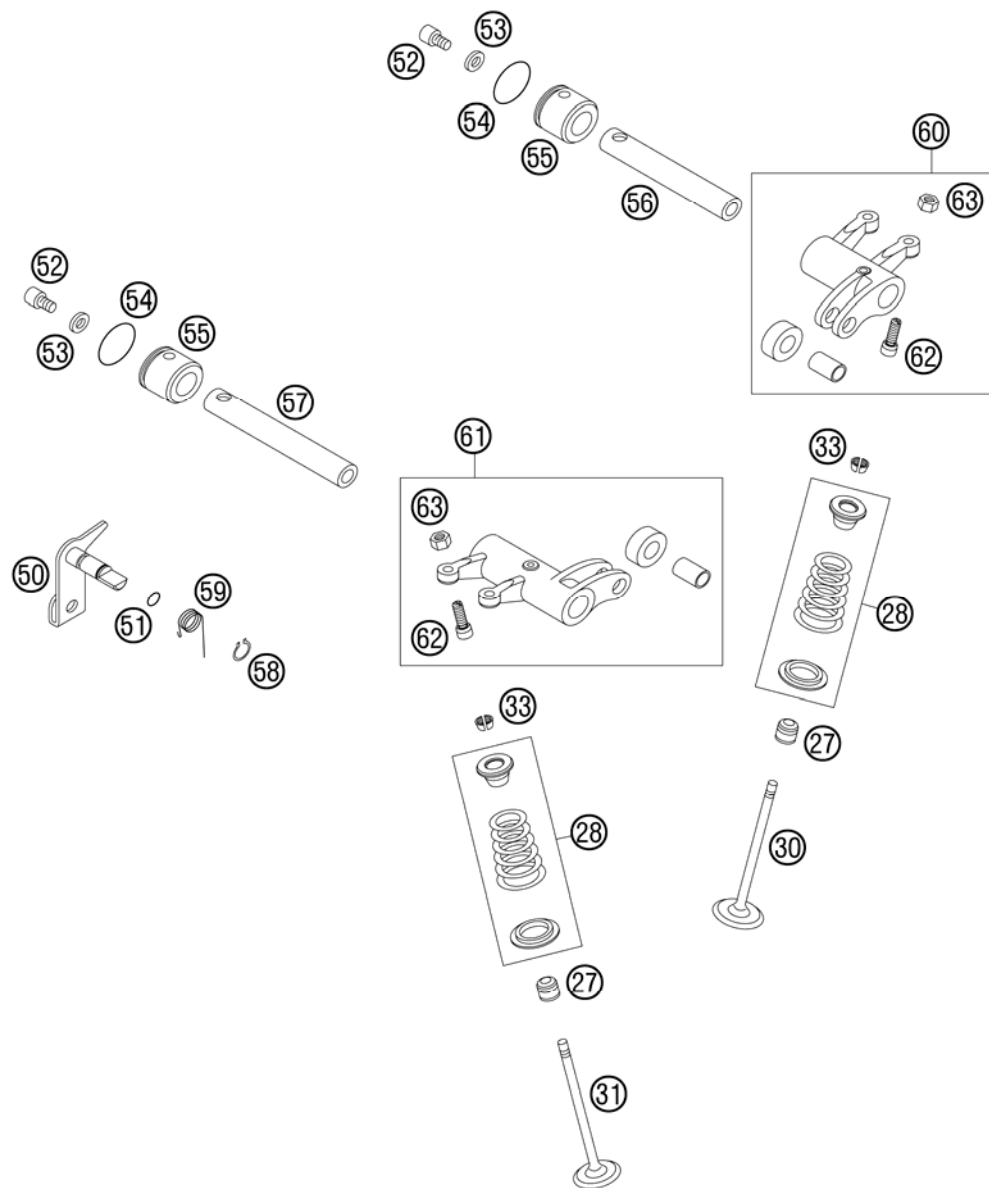
06800360 / C078003600

* NEW PART

X AS REQUIRED

VALVE DRIVE

HUSABERG FE 550-E 2007



| FIG | PART NUMBER | DESCRIPTION | QTY |
|-----|-------------|------------------------------|-----|
| 27 | 59036027000 | VALVE-STEM SEALING RACING | 4 |
| 28 | 59436028044 | VALVE SPRING CONICAL CPL. 03 | 4 |
| 30 | 59036030000 | INTAKE VALVE D=35MM | 2 |
| 31 | 59036031000 | EXHAUST VALVE D=30MM | 2 |
| 33 | 59036033000 | VALVE COLLET KK 6 H | 8 |
| 50 | 59036050000 | DECOMPRESSION SHAFT CPL. | 1 |
| 51 | 0770051016 | O-RING 5,10X1,60 NBR 70 | 1 |
| 52 | 0912050083 | AH SCREW DIN 912 M 5X8 | 2 |
| 53 | 59036060010 | SHIM ALU 5,2X10X2 | 2 |
| 54 | 0770191016 | O-RING 19,10X1,60 NBR 70 | 2 |
| 55 | 59036061095 | END CAP ROCKER ARM SHAFT | 2 |
| 56 | 59036056000 | ROCKER ARM SHAFT INTAKE | 1 |
| 57 | 59036057000 | ROCKER ARM SHAFT EXHAUST | 1 |
| 58 | 0471080000 | CIRCLIP DIN0471- 8X0,8 | 1 |
| 59 | 59036059000 | DECOMPRESSION LEVER SPRING | 1 |
| 60 | 59036060144 | ROCKER ARM INTAKE CPL. | 1 |
| 61 | 59036061144 | ROCKER ARM EXHAUST CPL. | 1 |
| 62 | 59036062000 | ADJUSTMENT SCREW M6X0,75 | 4 |
| 63 | 59036062100 | NUT M6X0,75 | 4 |

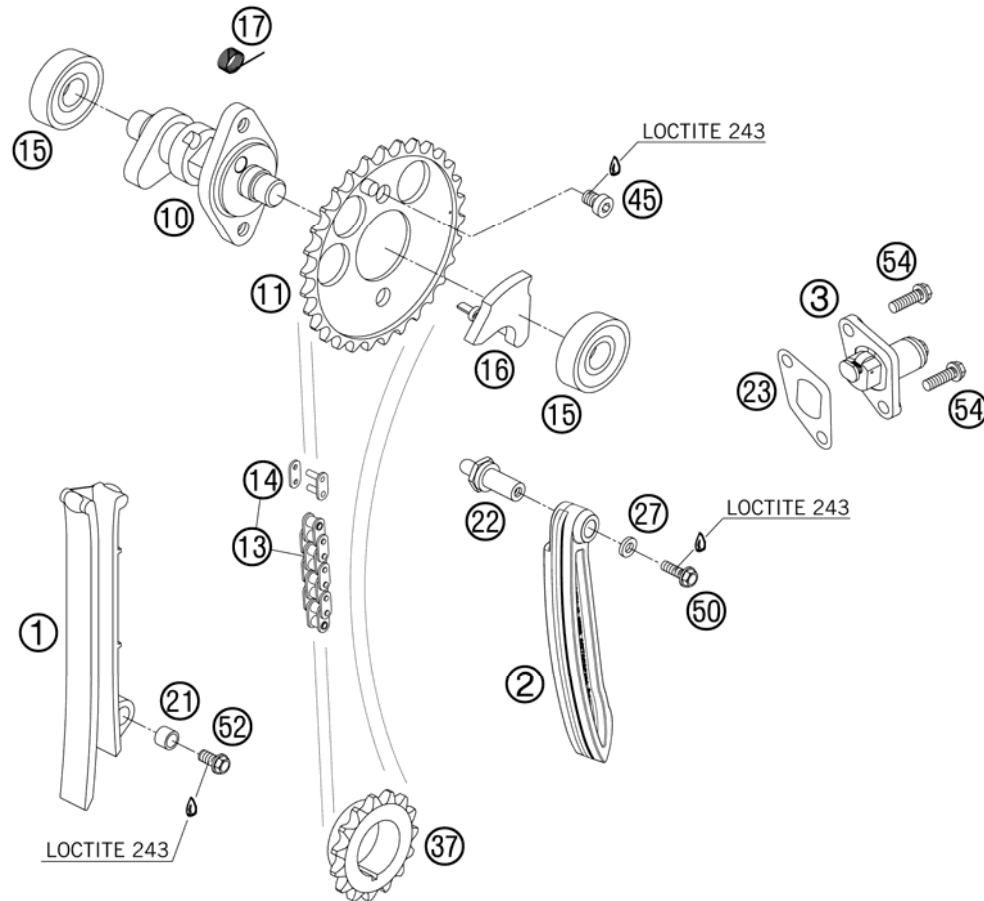
06800361 / C078003602

* NEW PART

X AS REQUIRED

TIMING VALVE

HUSABERG FE 550-E 2007



| FIG | PART NUMBER | DESCRIPTION | QTY |
|-----|-------------|--------------------------------|-----|
| 1 | 80036001000 | TIMING CHAIN GUIDE 04 | 1 |
| 2 | 80036002100 | TENSIONER 450-550 05 | 1 |
| 3 | 59036003000 | TIMINGCHAIN TENSIONER CPL.RAC. | 1 |
| 10 | 80036010000 | CAMSHAFT 450/501/550 03 | 1 |
| 11 | 80036011100 | CAMSHAFT GEAR 05 | 1 |
| 13 | 80036013100 | TIMING CHAIN 66L DID 05 | 1 |
| 14 | 80036013150 | LINK FOR TIMING CHAIN DID 05 | 1 |
| 15 | 0625062014 | BALL BEARING 6201 | 2 |
| 16 | 59036016000 | AUTO DECOMPRESSION SHAFT | 1 |
| 17 | 59036017000 | SPRING FOR AUTODECOMPRESSION | 1 |
| 21 | 80036001050 | SPACER BUSHING TIM.CH.GUIDE 04 | 1 |
| 22 | 80036002050 | STEPPED SPACER BUSHING 04 | 1 |
| 23 | 59036003050 | GASKET TIMING CHAIN TENSIONER | 1 |
| 27 | 59036060010 | SHIM ALU 5,2X10X2 | 1 |
| 37 | 80036037000 | TIMING CHAIN GEAR 03 | 1 |
| 45 | 0984080103 | AH SCREW DIN7984-M 8X10 | 2 |
| 50 | 0015050163 | HH COLLAR SCREW M 5X16 WS=8 | 1 |
| 52 | 0015060123 | HH COLLAR SCREW M 6X12 WS=8 | 1 |
| 54 | 0015060163 | HH COLLAR SCREW M 6X16 WS=8 | 2 |

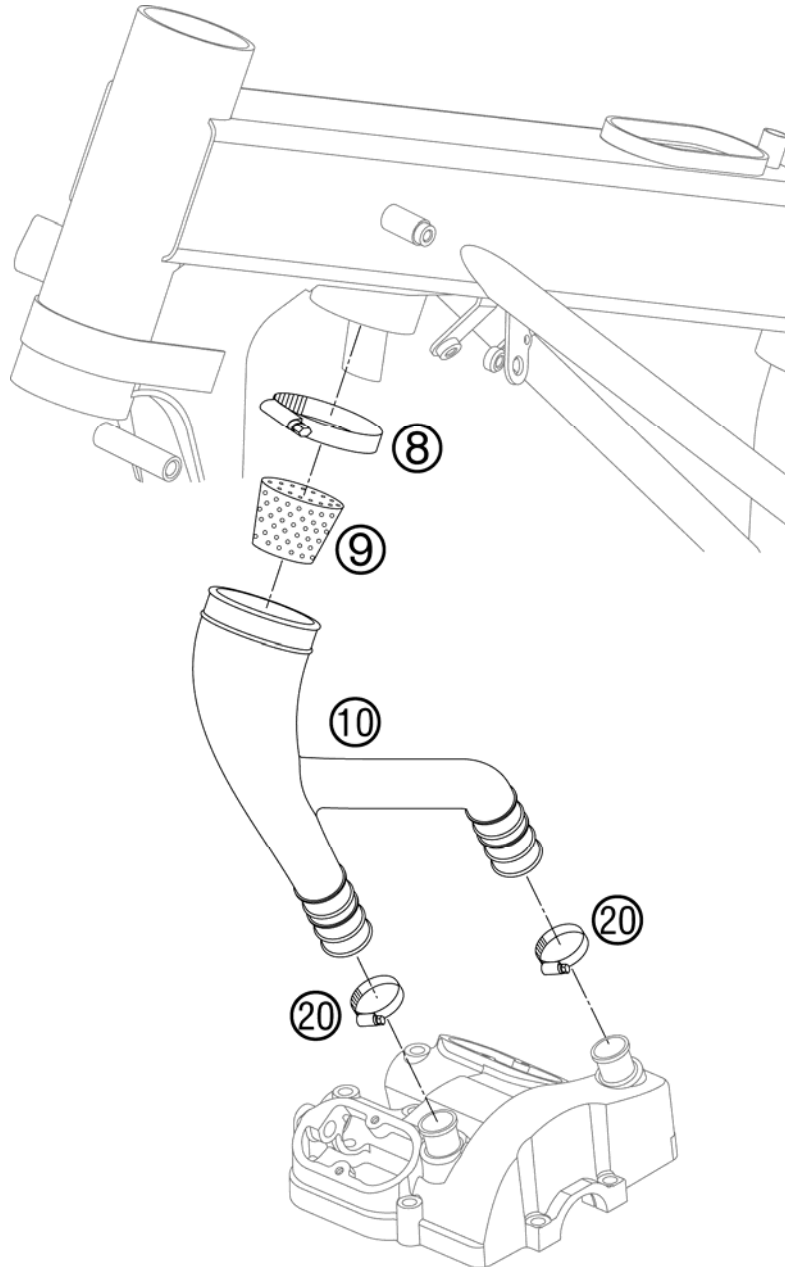
05800362 / C078003604

* NEW PART

X AS REQUIRED

BREATHER SYSTEM

HUSABERG FE 550-E 2007



| FIG | PART NUMBER | DESCRIPTION | QTY |
|-----|-------------|-------------------------------|-----|
| 8 | 46005058000 | HOSE CLAMP 40-60MM | 1 |
| 9 | 80030089000 | FILTER FOR BREATHER SYSTEM 04 | 1 |
| 10 | 80030090000 | BREATHER HOSE ENGINE 04 | 1 |
| 20 | 10001020000 | HOSE CLAMP GEMI 16-27 | 2 |

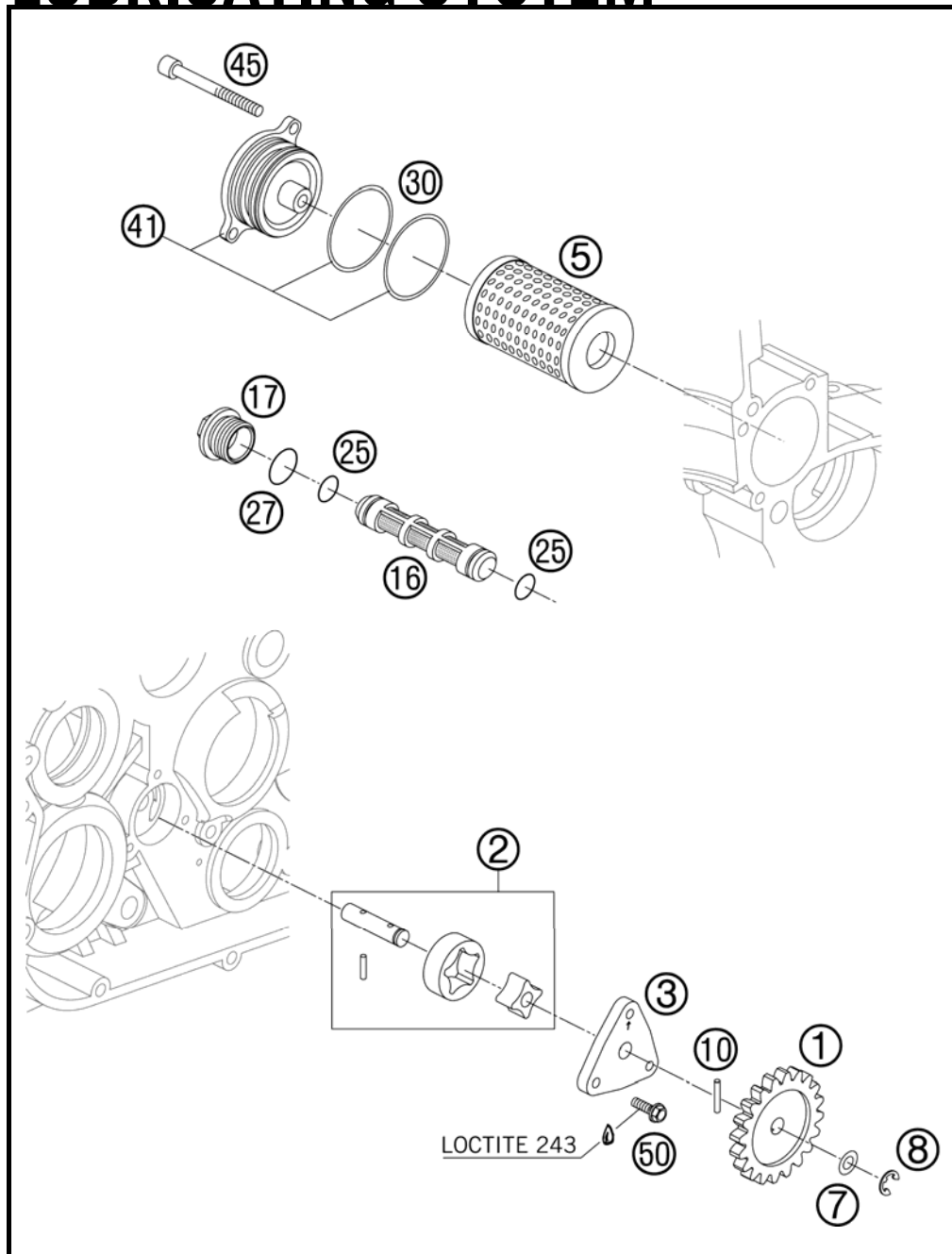
05800381 / C04800381

* NEW PART

X AS REQUIRED

LUBRICATING SYSTEM

HUSABERG FE 550-E 2007



| FIG | PART NUMBER | DESCRIPTION | QTY |
|-----|-------------|--------------------------------|-----|
| 1 | 80038001000 | OIL PUMP GEAR 03 | 1 |
| 2 | 80038002044 | OIL PUMP CPL. 03 | 1 |
| 3 | 80038003000 | OIL PUMP COVER 03 | 1 |
| 5 | 58038005100 | OIL FILTER LONG | 1 |
| 7 | 58038007755 | STOP DISK 8,1 X 15 X 0,5 | 1 |
| 8 | 0799060000 | TAB WASHER DIN6799-RS 6,0 | 1 |
| 10 | 0402251980 | NEEDLEROL.DIN5402 NRA 2,5X19,8 | 1 |
| 16 | 59038016000 | OIL SCREEN 15X83MM | 1 |
| 17 | 59038017000 | PLUG M20X1,5 WS=13 | 1 |
| 25 | 0770125015 | O-RING 12,5X1,5 NBR | 2 |
| 27 | 0770020170 | O-RING 17,17X1,78 GLO | 1 |
| 30 | 0770380020 | O-RING 38,00X2,00 NBR 70 SH | 2 |
| 41 | 80038041000 | OIL FILTER COVER 03 | 1 |
| 45 | 0912050503 | AH SCREW DIN912-M5X50 10.9 | 2 |
| 50 | 0016040133 | HH COLLAR SCREW M 4X13 WS=6 | 3 |

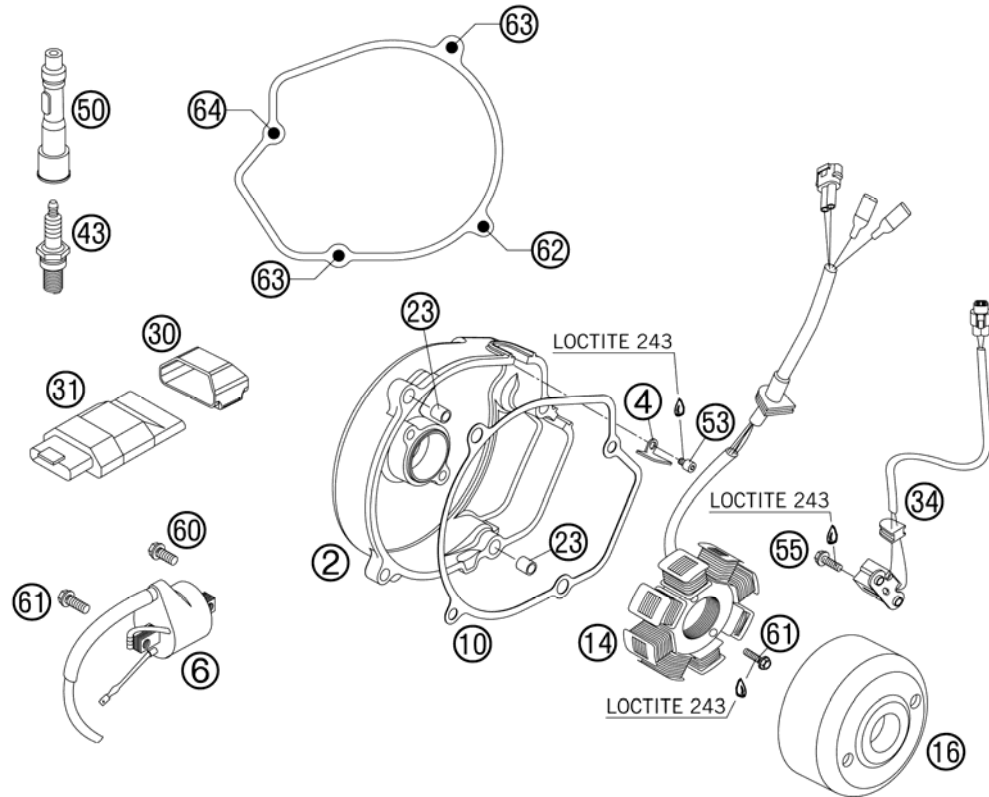
05800380 / C078003800

* NEW PART

X AS REQUIRED

IGNITION SYSTEM

HUSABERG FE 550-E 2007



| FIG | PART NUMBER | DESCRIPTION | QTY |
|-----|-------------|-------------------------------|-----|
| 2 | 80030002100 | IGNITION COVER ALU 04 | 1 |
| 4 | 80039002050 | SUPPORT FOR STATOR WIRE 04 | 1 |
| 6 | 50339006000 | IGNI.COIL KOKU. IG5127 | 1 |
| 10 | 80030040100 | IGNITION COVER GASKET 04 | 1 |
| 14 | 80039004000 | STATOR HUSABERG FS/FE 04 | 1 |
| 16 | 80039005000 | FLYWHEEL HUSABERG FS/FE 04 | 1 |
| 23 | 59030023000 | DOWEL 6X8X11,5 | 2 |
| 30 | 80039030100 | RUBBER HOLDER FOR CDI 05 | 1 |
| 31 | 81539031000 | CDI UNIT 550 05 | 1 |
| 34 | 59039034000 | PULSER COIL KOKUSAN 4K3-A/B | 1 |
| 43 | 59039093100 | SPARK PLUG NGK DCPR8E 03 | 1 |
| 50 | 58439090000 | SPARK PLUG CONNECT. SD05EG 03 | 1 |
| 53 | 0912060083 | AH SCREW DIN0912-M 6X 8 | 1 |
| 55 | 0015050163 | HH COLLAR SCREW M 5X16 WS=8 | 2 |
| 60 | 0015060163 | HH COLLAR SCREW M 6X16 WS=8 | 1 |
| 61 | 0015060203 | HH COLLAR SCREW M 6X20 WS=8 | x |
| 62 | 0015060253 | HH COLLAR SCREW M 6X25 WS=8 | 1 |
| 63 | 0015060303 | HH COLLAR SCREW M 6X30 WS=8 | 2 |
| 64 | 0015060353 | HH COLLAR SCREW M 6X35 WS=8 | 1 |

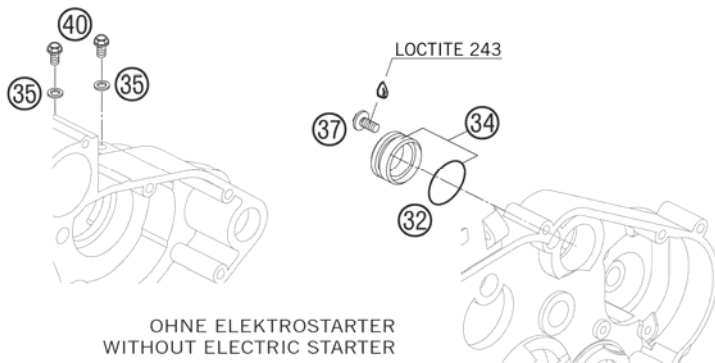
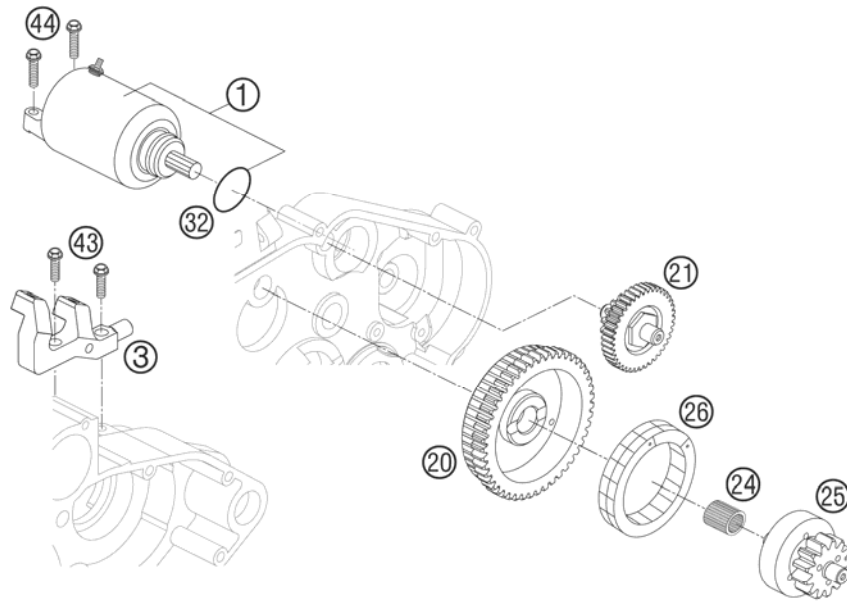
06800390 / C078003901

* NEW PART

X AS REQUIRED

ELECTRIC STARTER

HUSABERG FE 550-E 2007



| FIG | PART NUMBER | DESCRIPTION | QTY |
|-----|-------------|-------------------------------|-----|
| 1 | 82040001000 | E-STARTER ENGINE CPL. 04 | 1 |
| 3 | 82040002000 | BRACKET ELEC. STARTER ENG. 04 | 1 |
| 20 | 80040020000 | FREE WHEEL GEAR 03 | 1 |
| 21 | 80040021100 | GEAR WHEEL TORQUE LIMITER 04 | 1 |
| 24 | 0405101310 | NEEDLE BEARING K 10X13X10 02 | 1 |
| 25 | 80040025000 | FREE WHEEL HUB 03 | 1 |
| 26 | 80040026000 | FREE WHEEL 03 | 1 |
| 32 | 0770242030 | O-RING 24,20X3,00 NBR70 | 1 |
| 34 | 80040034100 | PLUG ELECTRIC STARTER 04 | 1 |
| 35 | 0603061001 | CU-SEAL RING DIN7603-6X10X1 | 2 |
| 37 | 0014060103 | HH COLLAR SCREW M 6X10 WS=8 | 1 |
| 40 | 0015060103 | HH COLLAR SCREW M 6X10 WS=8 | 2 |
| 43 | 0015060203 | HH COLLAR SCREW M 6X20 WS=8 | 2 |
| 44 | 0015060253 | HH COLLAR SCREW M 6X25 WS=8 | 2 |

078004001 / C078004001

* NEW PART

X AS REQUIRED

NOTICE

HUSABERG FE 550-E 2007





HUSABERG – a company of the KTM Group
A-5230 Mattighofen
www.husaberg.cc



3CM090023GEN



Art.Nr.: 3CM090023GEN 7/2006